



<b>Model Name</b>	GTS03T
<b>Size (mm)</b>	598mm x 598mm x 88mm (2' x 2' x 3.5")
<b>Power Consumption</b>	62W (61 – 65lm/W)
<b>Available CCT</b>	3500K, 4000K (custom CCT/CRI available)
<b>Illumination Data</b>	4050lm@4000K+85 CRI / 3920lm@3500K+ 90CRI
<b>Material</b>	Steel housing, polycarbonate lens, RoHS
<b>Voltage</b>	VAC 90~280, 50~60Hz
<b>Control Method</b>	0-10V standard, GO Intelligent Control System (GICS) optional
<b>Installation Kit</b>	T-bar drop-in, networkable

 **Certified to UL 1598**  
© 2010 GO Lighting Technologies Inc.

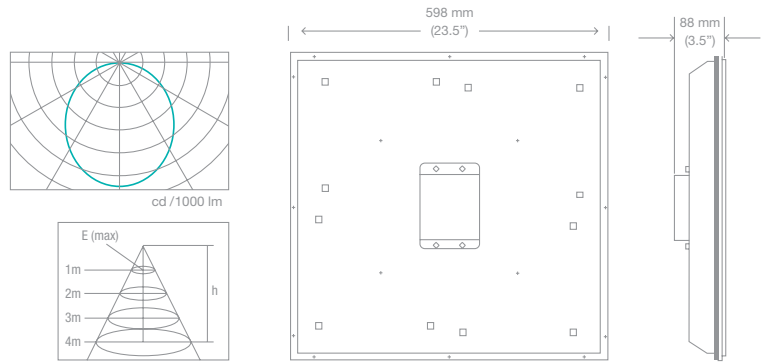


# GO LED Troffer

Dimmable LED General Lighting Fixture

# GO LED Troffer

## Dimmable LED General Lighting Fixture



### Features

#### Natural Light

No flickering, no ballast noise, no EMI, UV or glare. Reduces eye strain, headaches and other workplace complaints associated with fluorescent lighting.

#### Dimmable

Can be dimmed to 5% brightness with standard TRIAC dimmer or optional 0-10V, IR remote control or automated sensor control. Components replaceable/upgradeable. Designed for field replaceable PCBs, power and control systems as technology becomes even more efficient. Retain the fixture, upgrade the technology.

#### Low Heat Generation

Low heat generation, extra saving through reduction of HVAC load.

#### Environment Friendly

No mercury, RoHS compliant, no disposal concern, highly robust – no glass to break and shatter.

#### Long Life

Reduces relamping cycle 2 to 5 times fewer than fluorescent systems – ROI <4 years typical.

#### Solid Construction

Robust metal construction, resistant to infiltration by dust or insects.

#### High Uniformity

+85% consistency of luminance across planar surface.

#### Intelligent Lighting

Compatible with building automation systems, 4 sensor inputs for autonomous intelligence, up to 100 units can be controlled by a single TRIAC.

#### Low Profile

Can be installed in shallow plenum space, mounts flush with ceiling.

### Specification

	GTS03T-35	GTS03T-40
<b>Light Output</b>	~3780lm @ 3500K	~4050lm @ 4000K
<b>Wattage</b>	62W	62W
<b>Efficiency</b>	~61 lm/W +5%	~65 lm/W +5%
<b>CCT</b>	3500K, 4000K. Other CCT by special order	
<b>CRI</b>	+90	+85
<b>Power Supply/Certification</b>	90~280VAC, 50~60 Hz, UL, cUL, CE, UL Class 2	
<b>Power Factor/Service</b>	>0.9 / field replaceable / SMPS, controller	
<b>Operating temp./humidity</b>	-20C~40C, 75+20% RH	
<b>Housing</b>	Steel	
<b>Optic</b>	High efficiency Polycarbonate Lens	
<b>Control</b>	0-10V standard GO Intelligent Control System (GICS) optional	
<b>Size</b>	598mm x 598mm x 88mm (2' x 2' x 3.5") drop-in T-bar Other sizes (1'x1', 1'x2', 1'x4', 24" circular) contact us	

Made in North America • NAFTA compliant • Patents pending

GO Lighting Technologies Inc. p 416.679.0259 f 416.679.9452 toll-free 866.571.7036 www.goenergyeffective.com

