

GF R 12 T ER

Model name GFR12TER (formerly R12TE)
Size (mm) 98 x 1028 x 19 (3 3/4" x 40 1/2" x 3/4")
Power Consumption 30W (33 lm/W)
Available CCT Ergonomic:2700K ~6300K (Optional single CCT)
Illumination values 980 lm @ 5800K (custom CCT/CRI available)
Material Aluminum anodized, Polycarbonate, RoHS
Voltage VAC 95~240, 50~60 Hz
Control method IR Remote controller
Installation Kit. IK-01, IK-02, IK-03, IK-05A, IK-06

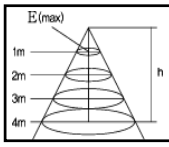
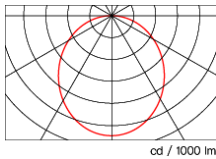


Ver. 08.11

SP Certified to U_L 1598

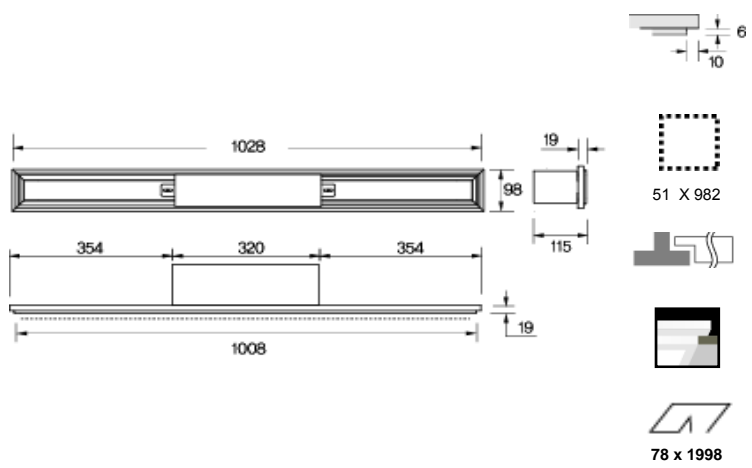
www.goenergyeffective.com 416.679.0259
 © 2008 GO Lighting Technologies Inc.
 Custom light panel sizes and CCT available

Polar diagram



h	d
1	880
2	220
3	96
4	54

Dimensions



Description

