

GF R 11 T ER

Model name GFR11TER (formerly R11E)
Size (mm) 98 x 2017 x 19 (3 3/4" x 79 3/8" x 3/4")
Power Consumption 62W (30.3 lm/W)
Available CCT 2700K ~6300K +85 CRI (optional single CCT)
Illumination values Approx 1880 lm @ 5800K, (custom CCT/CRI available)
Material Aluminum anodized, Polycarbonate, RoHS
Voltage VAC 95~240, 50~60 Hz
Control method IR Remote controller
Installation Kit. IK-01, IK-02, IK-03, IK-05A, IK-06

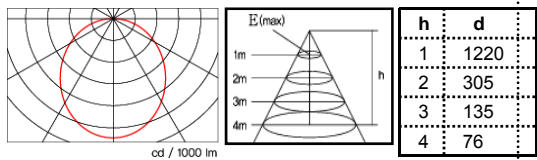


Ver. 08.11

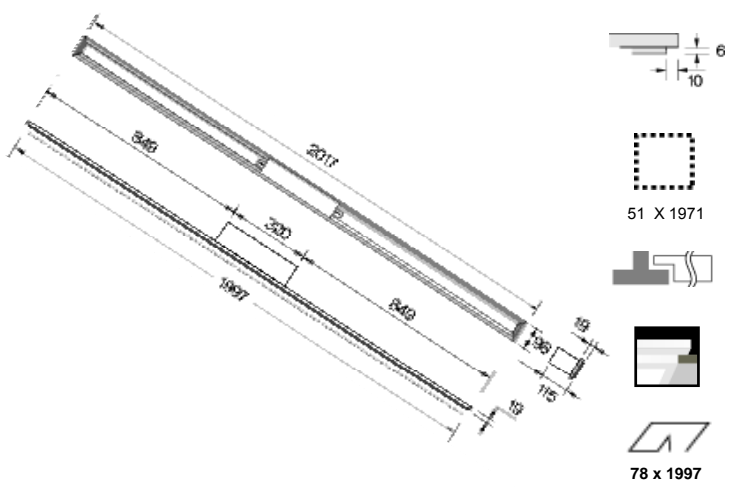
SP Certified to U_L 1598

www.goenergyeffective.com 416.679.0259
 © 2008 GO Lighting Technologies Inc.
 Custom light panel sizes and CCT available

Polar diagram



Dimensions



Description

