

GF R 14 T

Model name GFR14T (High illumination) (formerly R14T)
Size (mm) 300 x 1220 x 19 mm (13" x 48" x ¾")
Power Consumption 42W (45 lm/W)
Available CCT 6300K, 5000K, 4000, 2700K +70CRI
Illumination values 1895 lm @ 6300K (custom CCT/CRI available)
Material Aluminum anodized, acrylic, RoHS
Voltage VAC 95~240, 50~60 Hz
Control method IR Remote controller
Installation Kit. IK-01, IK-02, IK-03, IK-05A, IK-06

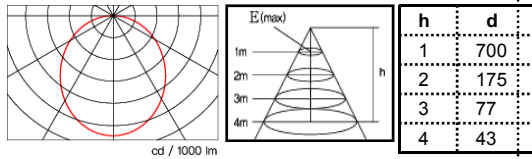


Ver. 08.11

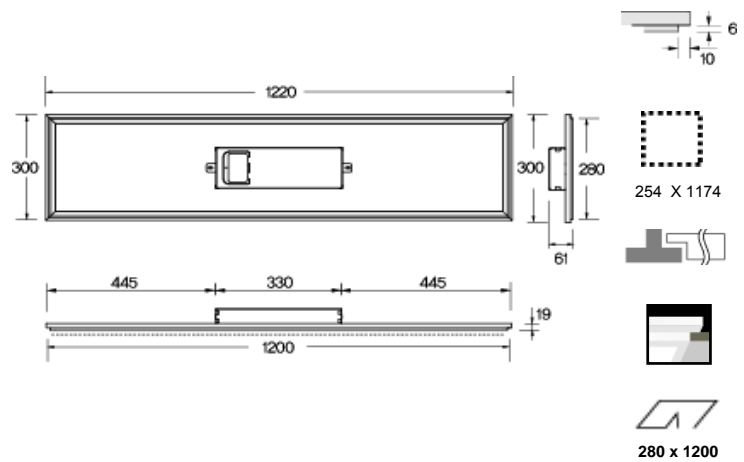
SP Certified to U_L 1598

www.goenergyeffective.com 416.679.0259
 © 2008 GO Lighting Technologies Inc.
 Custom light panel sizes and CCT available

Polar diagram



Dimensions



Description

