

**330 x 620 x 24mm**

**13 x 24<sup>3</sup>/<sub>8</sub> x 1"**

(Dimensions in inches are approximations based on metric.)

**67W**

### Features & Benefits

#### Long Life Time

Up to 50,000 hours of energy effective lighting.

#### Environment Friendly

RoHS compliant product, No Cadmium, Lead, or Mercury. Unlike fluorescent, there are no concerns over disposal.

#### Low Wattage

Reduces power consumption by 20% or more when compared with older systems. Conforms to California title 24.

#### Low Heat Generation

Extra savings through reduction of cooling load.

#### Natural Light

Superior colour rendering over other LED sources due to unique PLF™ technology; High pupil lumen factor\*.

#### Ergonomic Light

No EMI, ballast noise, UV or glare. Non-flickering light reduces eye strain, headaches and other workplace complaints associated with fluorescent lighting. Remote controlled dimming and (on E models only) colour temperature adjustment to suit changing activities and moods.

#### High Uniformity

80% or better consistency of luminance across planar surface.

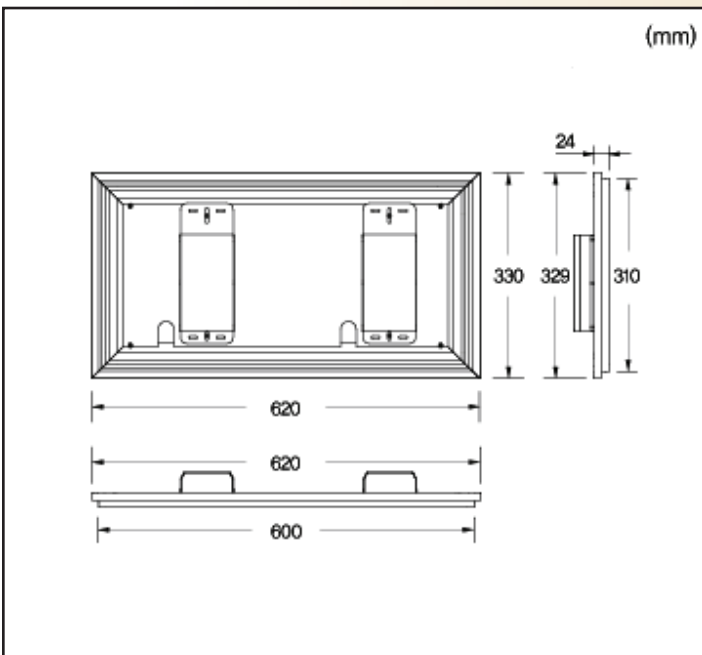
#### Solid Construction

Robust; nothing fragile such as bulbs, filaments and no room for insects inside the fixture.

#### Intelligent Lighting

Compatible with leading building automation systems RS485, DMX512 (Under development).

\*Refer to web site for more information:  
[www.goenergyeffective.com](http://www.goenergyeffective.com)



#### Example Installation



#### Available Installation kits

IK-01, IK-02, IK-03, IK-05A, IK-06  
([www.goenergyeffective.com](http://www.goenergyeffective.com))

\*please refer to our website for details.

The company reserves the right to change specifications and alter or improve the design or construction of its products as described herein and to furnish them when so altered without reference to the illustrations or descriptions above.



## PLF™ technology

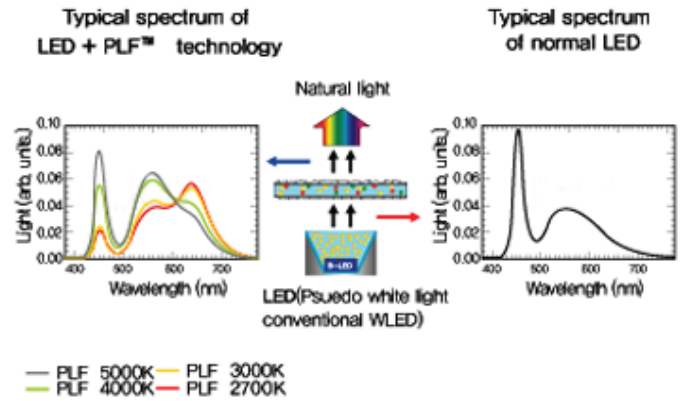


Fig.1

## High reliability employing heat sink design of frame

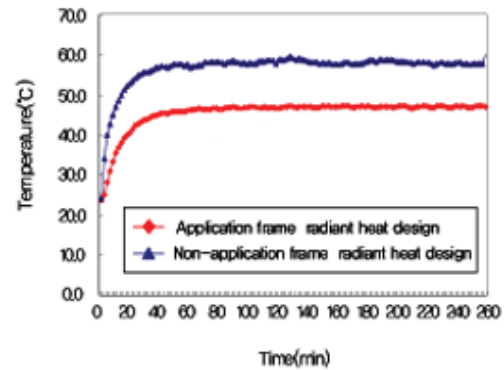


Fig.2

## Certifications



## Specifications

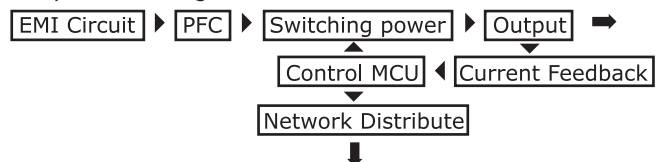
<b>Model name</b>	R36T1-E2
<b>Size(mm)</b>	330 x 620 x 24
<b>Power consumption</b>	67W
<b>Illumination(Ix, at 1M)</b>	D ~ L 1100 D:6300K±10%, N:5000K±10%, W:4000K±10%, L:2700K±10%,
<b>Color temperature</b>	2700K~ 6300K (±10%)
<b>Luminous flux</b>	D ~ L 3600
<b>Frame</b>	Aluminum anodized
<b>Input power</b>	AC 95~240 V, 50~60 Hz
<b>Control method</b>	IR Remote controller

Notes: DC extension wire harness to be ordered separately to mount PSU remotely from the fixture.

## Driving circuit specifications

Max. capacity : 100W  
 Power factor at max load : 90% or above  
 Input VAC : 100 ~ 240V  
 Input frequency AC : 50/60Hz  
 Operating temp./humidity : -10°C~45°C, 75±20% RH  
 Store temp./humidity : -40°C~85°C, 75±20% RH

## Concept block diagram



## How to read the model number

