

GT S 01 T



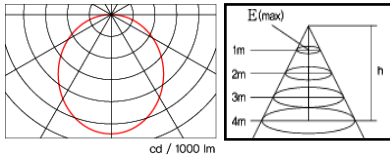
Indoor Lighting

Certified to U_L 1598 Pending

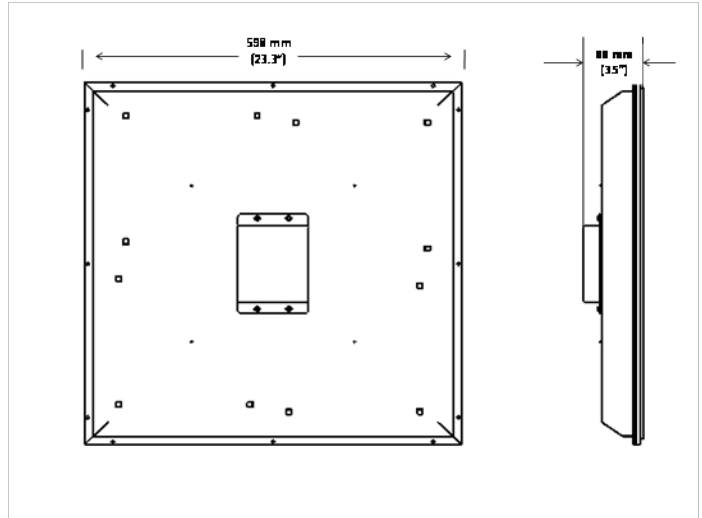
www.goenergyeffective.com 416.679.0259
© 2008 GO Lighting Technologies Inc.

| | |
|--------------------------|---|
| Model name | GTS01T |
| Size (mm) | 598mm x 598mm x 88mm (2' x 2' x 3.5") |
| Power Consumption | 60W-80W (52 -53lm/W) |
| Available CCT | 3500K, 4200K (custom CCT/CRI available) |
| Illumination data | 3100lm - 4200lm@ 3500K +80 CRI |
| Material | Steel housing, polycarbonate lens, RoHS |
| Voltage | VAC 95~240, 50~60 Hz |
| Control method | IR Remote, 0-10VDC, Zigbee |
| Installation Kit. | No |

Polar diagram



Dimensions




GO LED Troffer

Dimmable LED General Lighting Fixture

GO LED Troffer provides long life, non-flickering, no noise natural lighting. It is dimmable and controllable, contains no mercury. It is an **energy effective alternative** to fluorescent lighting.



 **Certified to U_L 1598**
Pending

www.goenergyeffective.com 416.679.0259
© 2008 GO Lighting Technologies Inc.

Features & Benefits

Natural Light

No flickering, no ballast noise, no EMI, UV or glare. Reduces eye strain, headaches and other workplace complaints associated with fluorescent lighting.

Dimmable

Can be dimmed to 5% brightness with proper 0-10 VDC control, IR remote, or ZigBee wireless

Low Heat Generation

Low heat generation, extra saving through reduction of HVAC load

Environment Friendly

No mercury, RoHS compliant, no disposal concern

Long Life

Reduces relamping cycle 3 to 5 times fewer than fluorescent systems - ROI <4 years

Solid Construction

Robust, single unit construction metal construction, resistant to infiltration by dust or insects

High Uniformity

80% or better consistency of luminance across planar surface

Intelligent Lighting

Compatible with building automation systems

Low Profile

Can be installed in plenum space of 4"; mounts flush with ceiling.

Specification

| | GTS01T-35-1-80-30 | GTS02T-35-1-80-40 |
|--------------------------|---|-------------------|
| Light Output | 3100lm @ 3500K | 4200lm @ 3500K |
| Wattage | 60W | 80W |
| Efficiency | 52lm/W | 53lm/W |
| CCT | 3500K, 4200K. Other CCT by request | |
| CRI | >80 | |
| Power Supply | AC 95~240 V, 50~60 Hz | |
| Power Factor | >0.9 | |
| Operating temp./humidity | -10°C~45°C, 75±20% RH | |
| Housing | Steel | |
| Optic | High efficient Polycarbonate Lens | |
| Dimming Control | IR Remote, 0-10VDC. Zigbee | |
| Size | 598mm x 598mm x 88mm (2' x 2' x 3.5") Other size (1'x2', 1'x4', 2'x4') 4th quarter '09 | |

Made in North America